

Pull cylinders

with spring reset, single-acting, pmax. 500 bar

200-6

Issue: 10/2022

Description:

This single-acting pull cylinder is suitable for smaller plants which are tact-independent.

The built-in reset spring only serves for bringing the piston into the retracted position. The reset time depends on several conditions. So, an exact reset time can not be calculated.

If feed and reset are to act tact-dependent and/or force loaded in a set interval, we recommend to use our double-acting block cylinders (refer to datasheet 200-3).

The pull cylinder is available in various designs with threaded port or manifold connection with O-rings.

Mounting instruction:

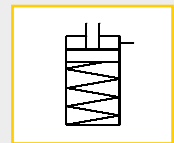
When mounting the pull cylinder, for example through the cross holes, it is important to have the cylinder to the front form-closed supported starting with an operating pressure of 250 bar and up, in so far as the mounting is made transverse to the force direction.

The user also has to prevent foreign particles and liquids from ingress into the spring chamber of the pull cylinder by a cover or preventive cylinder arrangement.

If desired, a vent line can be additionally connected at the threaded port or manifold connection.



Webcode: 020006



D Piston Ø ⁽¹⁾	[mm]	16	20	25	32	40	50	63	80	100
d Rod Ø	[mm]	10	12	16	20	25	32	40	50	63
Stroke±1 ⁽²⁾	[mm]	8	8	8	10	10	12	12	12	12
Pull force 100 bar	[kN]	1,1	1,5	2,7	4,6	7,3	11,0	17,9	29,2	45,6
Pull force 500 bar	[kN]	6,0	8,2	14,3	24,2	37,0	57,3	92,3	151,8	235,0
Min. reset force	[N]	40	95	140	195	270	440	430	760	1200
Oil req./10mm Stroke	[cm ³]	1,22	1,9	2,9	4,9	7,65	11,6	18,6	30,63	47,36
a	[mm]	60	60	65	75	85	100	125	160	200
b	[mm]	35	35	45	55	63	75	95	120	150
c	[mm]	22	23	27	35	35	35	44	46	55
Ø e	[mm]	11	11	14	18	18	20	26	33	40
f	[mm]	30	40	50	55	63	76	95	120	158
g Ø	[mm]	6,5	6,5	8,5	10,5	10,5	13	17	21	25
h	[mm]	30	30	33	38	40	44	50	60	64
i	[mm]	4,4	4,4	6,4	7,6	10,6	12,6	16,6	20,6	24,8
k	[mm]	20,5	20,5	21	25	27	29,5	32	39	40
l	[mm]	6,4	6,4	8,6	10,6	10,6	12,6	16,6	20,6	24,8
L	[mm]	56	61	64	75	79	90	102	117	130
m	[mm]	11	11	11	11	11	13	17	21	25
n	[mm]	16,5	17	18	22	24	27	26	34	35
o1 = thread x depth	[mm]	M6x15	M8x16	M10x17	M12x18	M16x27	M20x32	M27x40	M30x40	M42x60
o2 = Ø x depth	[mm]	6,3x3	8,5x3	10,5x4	12,5x4	16,5x7	21,0x8	27,5x8	30,5x8	43,0x8
p	[mm]	G1/4	G1/4	G1/4	G1/4	G1/4	G1/4	G1/2	G1/2	G1/2
r	[mm]	40	44	50	55	63	76	95	120	158
s	[mm]	40	40	50	55	63	76	95	120	158
AF	[mm]	8	10	13	17	22	27	36	46	55
t	[mm]	22	22	30	35	40	45	65	80	108
u	[mm]	8	8	10	12	12	16	20	24	28
v	[mm]	2	2	2	3	3	5	5	7	7
w	[mm]	1,1	1,1	1,1	1,1	1,1	1,1	1,5	1,5	1,5
x Ø	[mm]	4	4	4	5	6	6	8	8	8
y Ø	[mm]	8,8	8,8	9,8	9,8	9,8	10,8	13,8	13,8	13,8
z	[mm]	7	7	7,5	10	10	13	16	21	25
Weight approx.	[Kg]	0,8	1,0	1,2	1,8	2,6	3,8	6,7	12,8	24

⁽¹⁾Other diameters and ⁽²⁾strokes on request.

Scope of supply includes O-rings.

Order number key:

Example: **ZZY** - **040** - **010** - **AV** - **I002**

Piston Ø [mm]: **016, 020, 025, 032, 040, 050, 063, 080, 100**

Piston [mm]: **008, 010, 012**

Design: **A, C, D, E**, (see page 2)

Sealing: NBR = **P**, FKM = **V**

Thread: inner thread = **I**

Functioning: single-acting = **002**

Connections:

- ☒ G1/4, G1/2 threaded port
- ☒ Manifold with O-ring bottom side, rod side or broadside

Sealings:

- ☒ NBR, Operating temperature: -10°C up to max +80°C
- ☒ FKM, Operating temperature: up to max. 150°C

Advantages:

- ☒ Ideal for smaller plants
- ☒ Space-saving installation
- ☒ Various mounting options
- ☒ Protecting metal wiper
- ☒ Vent line connectable

We also design and manufacture customized variants!



HYDROKOMP
Hydraulische Komponenten GmbH

+49 6401 225999-0

sales@hydrokomp.de

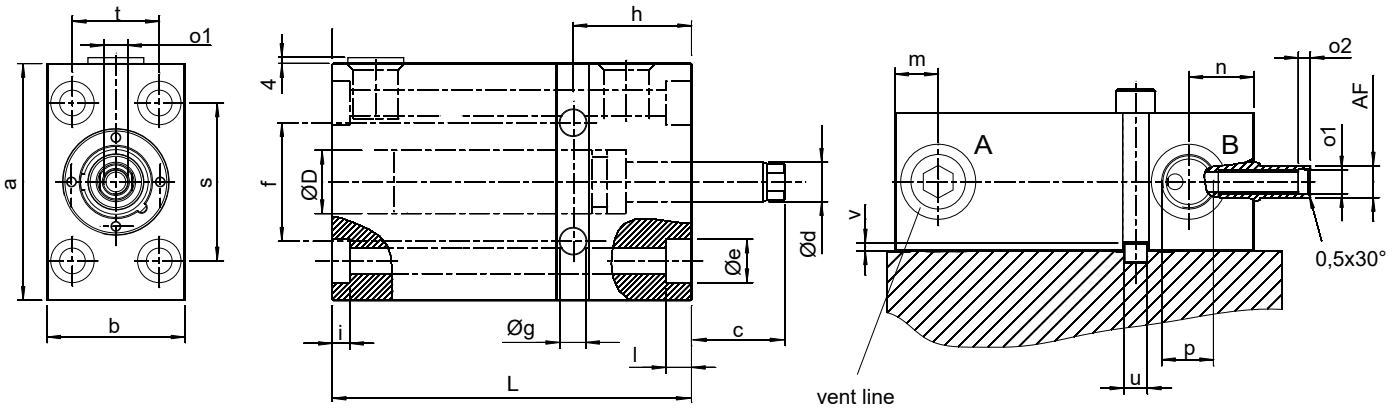
Siemenstr. 16
35325 Mücke (Germany)

www.hydrokomp.de

Technology that connects



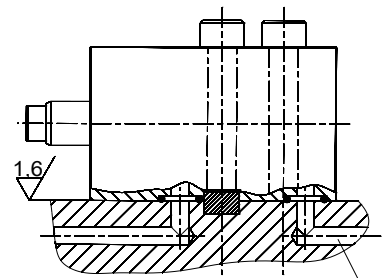
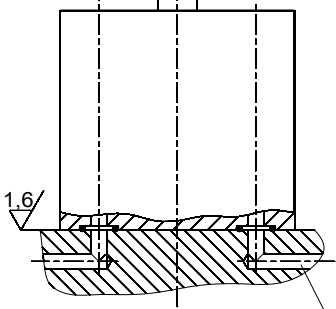
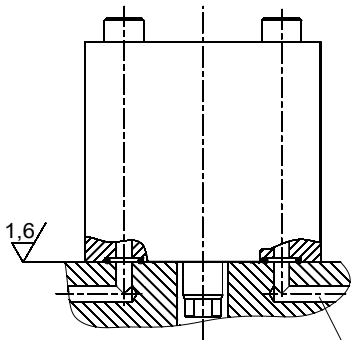
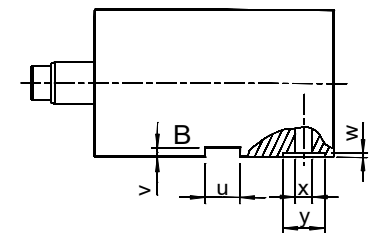
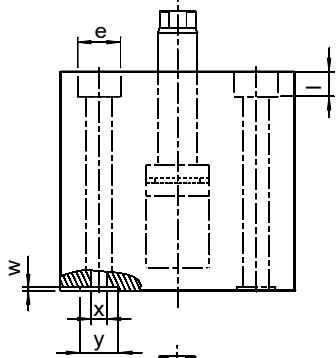
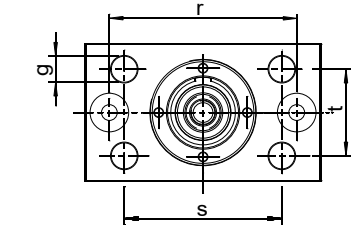
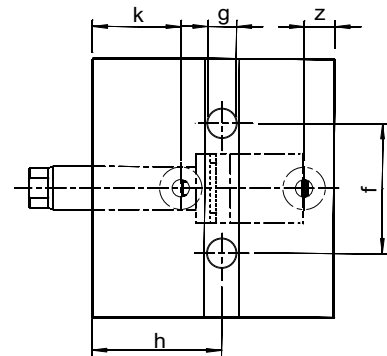
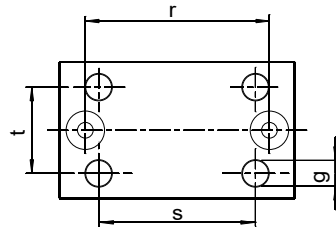
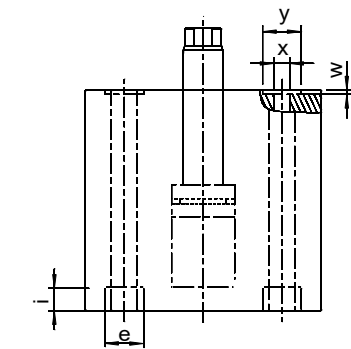
A G1/4, G1/2 threaded port, bleeder and cross bores



C
manifold with O-ring, rod side

D
manifold with O-ring, bottom side

E
manifold with O-ring, broadside



vent line

vent line

vent line

ATTENTION: It is important to prevent the spring chamber from ingress of particles and liquids!